



KOMO®
Product certificate
K-0218921-1



Issued 2024-06-27 Replaces --
Valid until Indefinite Dated --
Page 1 of 3

Steel for reinforcement of concrete B500B: bars

Jiangsu Shagang Group Co., Ltd.

STATEMENT BY KIWA

This product certificate is based on Guideline/BRL 0501 "Steel for the reinforcement of concrete" (Betonstaal)" dated 01 September 2010 inclusive amendment sheet dated 12 December 2018, issued according to the Kiwa-Regulation for Certification.

The quality system and the product characteristics of this product are checked periodically. Based on this, **Kiwa declares that** there is legitimate confidence that:

Upon delivery, the product supplied by the certificate holder meets the requirements:

- Of the technical specifications laid down in this product certificate,
- The product requirements laid down in the Guideline/BRL 0501.

Provided the product is accompanied by the KOMO® quality mark in the manner set out in this product certificate.

Ron Scheepers
Kiwa

*This product certificate is also included on the KOMO foundation websites: www.komo.nl and www.komo-online.nl.
Users of this product certificate is advised to check whether it is still valid. For this purpose consult the website of Kiwa: www.kiwa.nl.*

Kiwa Nederland B.V.
Sir Winston Churchillaan 273
Postbus 70
2280 AB RIJSWIJK
The Netherlands
Tel. +31 88 998 44 00
Fax +31 88 998 44 20
info@kiwa.nl
www.kiwa.nl

Certificate holder
Jiangsu Shagang Group Co., Ltd
Jinfeng Town
215600 Zhangjiagang City
JIANGSU PROVINCE
China
Tel. +86 0512-58568193
wujiajun@shagangintl.com
www.sha-steel.com



Assessed is:
• Quality system
• Product
Periodic control

Steel for the reinforcement of concrete B500B: bars

1 TECHNICAL SPECIFICATION

This product certificate relates to the product characteristics of Steel for the reinforcement of concrete, B500B: (bars). The products are intended for use in concrete structures.

The following products are covered by this product certificate:

Classification	: B500B
Production method	: Hot rolled / water cooled
Nominal size	: 10 – 12 – 14 – 16 – 20 – 25 – 28 – 32 mm
Delivery condition	: bars

2 QUALITY MARK AND INDICATIONS PLACED ON THE PRODUCTS

The products are marked with a label with upon it at least on a clear and indelible way:

- The KOMO® indication or the KOMO® quality mark followed by the certificate number. The official KOMO quality mark is shown and executed as follows:



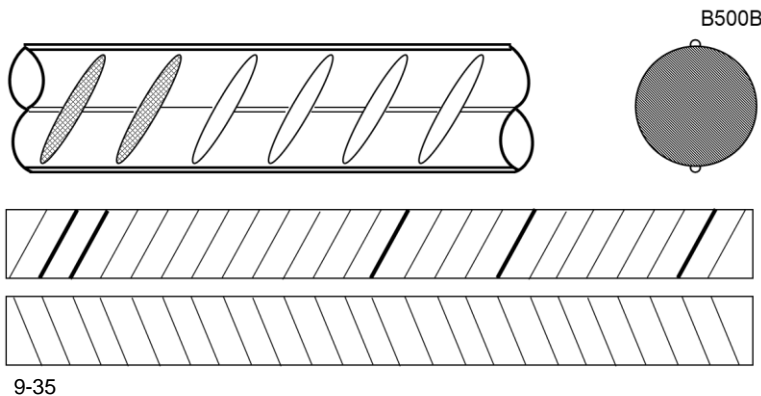
K-0218921

- The classification B500B
- BRL 0501
- Diameter
- The rolling mark
- Production code (heat number / cast number / coil number) or production date
- Factory brand or factory name

At least one label per bundle of bars is required.

Steel for the reinforcement of concrete is marked on the following way:
On one rib row by means of widened ribs, with the code (9-35)

Position of the rolling mark: at intervals of ± 1 m The position of the transverse ribs may also be reversed.



3 PRODUCT CHARACTERISTICS

The product meets the product characteristics as laid down in Guideline/BRL 0501.

4 TIPS FOR THE USER

Check on delivery of the products listed under the “technical specification” whether:

- The product(s) and material(s) ordered are delivered in accordance with the agreement you made.
- The brand and the method of marking is correct
- No defects or damage is visible (for example, resulting from the transportation).

If on the basis of the foregoing you decide to proceed to rejection, please contact

- Jiangsu Shagang Group Co., Ltd.
- And if necessary,
- Kiwa Nederland B.V.



Steel for the reinforcement of concrete B500B: bars

Consult NEN-EN 13670 for the correct method of storage, transport and processing.

Consult the website www.kiwa.nl to check whether this product certificate is still valid.

LIST OF DOCUMENTS

NEN 6008 : Betonstaal
NEN-EN 13670 : Het vervaardigen van betonconstructies

* For the actual version of the standards see the latest version of the BRL 0501 or latest amendment sheet.